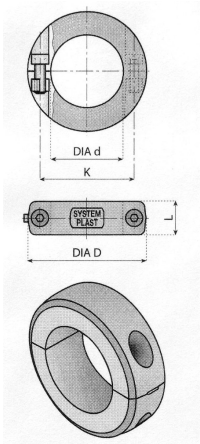


**Split Shaft Collars**

**Description**

**Part Number**



Acetal Resin, Bolts in Stainless Steel,  
Threaded Insert in Nickel Plated Brass.

1/2" Dia. 32700

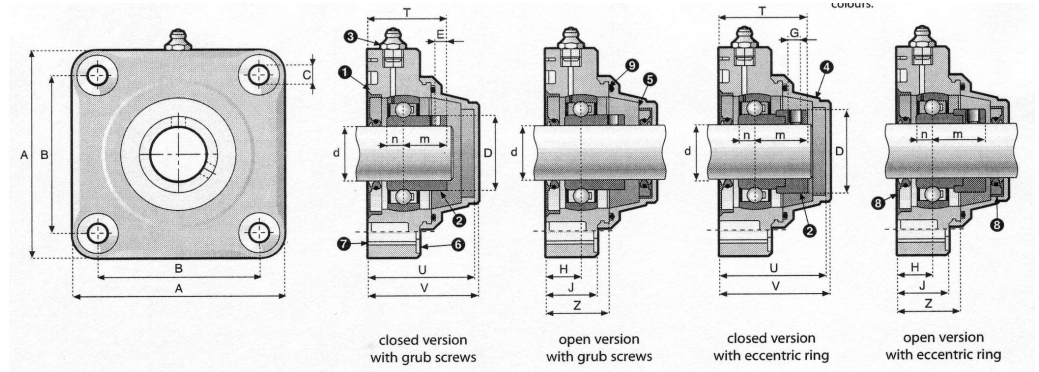
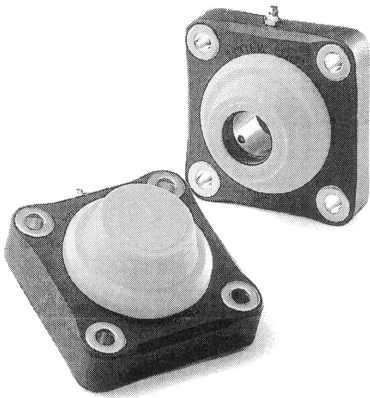
3/4" Dia. 32702

1.0" Dia. 32703

1-1/4" Dia. 32704

1-1/2" Dia. 32706

**Bearings**



Closed	Open	A	B	C	D	E	G	H	J	Z	T	m	n	U	V
70208R	75208R	4.33	3.27	0.43	2.07	0.31	5/16 UNF	0.79	0.98	1.38	1.97	1.18	0.43	2.64	2.72

Merley Chains carries a wide range of System Plast Bearings.

Housing are constructed of corrosion resistant polyamide.

Insert are available in Stainless Steel and Chrome Steel.

All Bearings are available in **Maintenance Free** completely sealed housings or completely sealed housings with grease – nipple.

Bearings are available with or without safety caps.

Call for specific size and type availability.